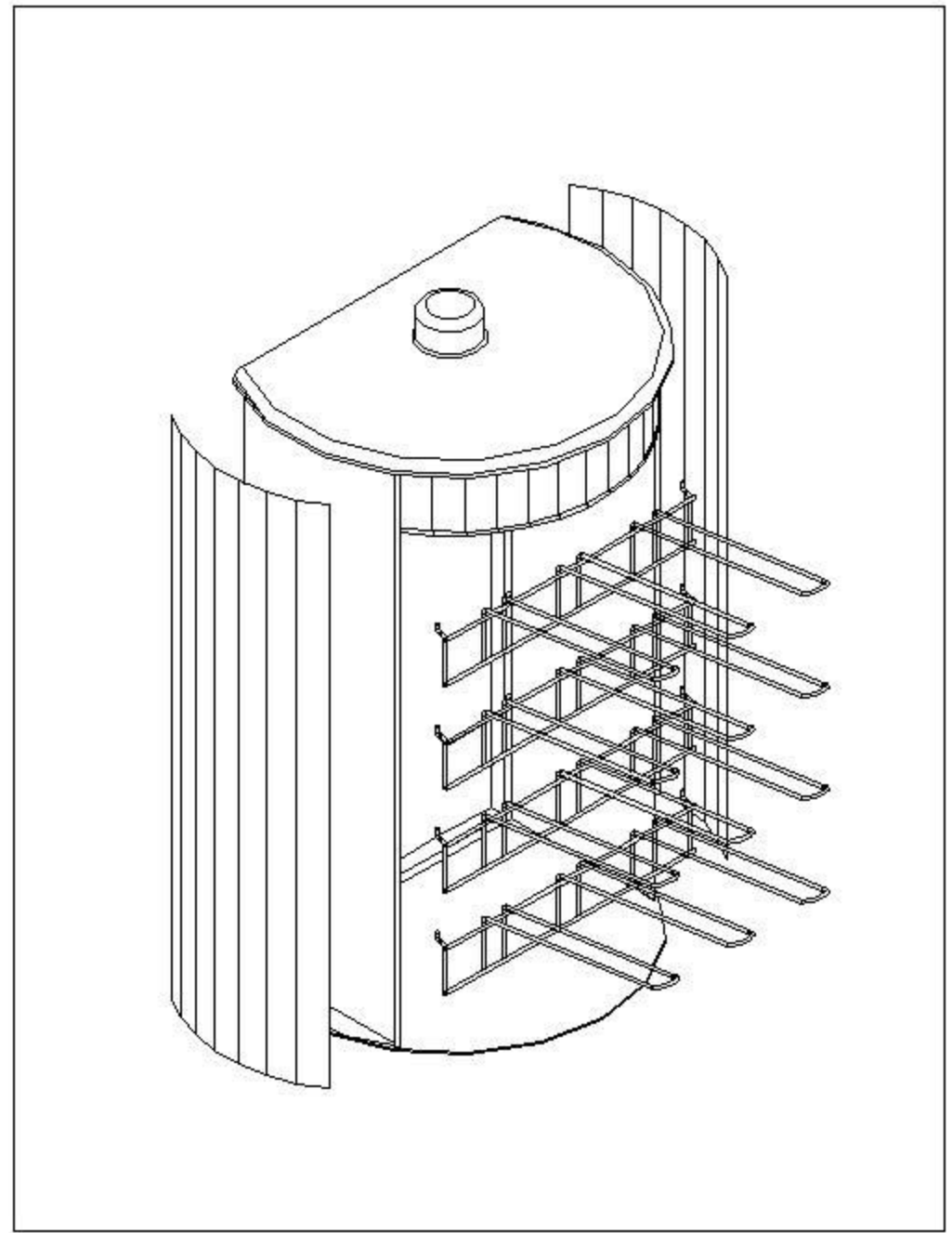
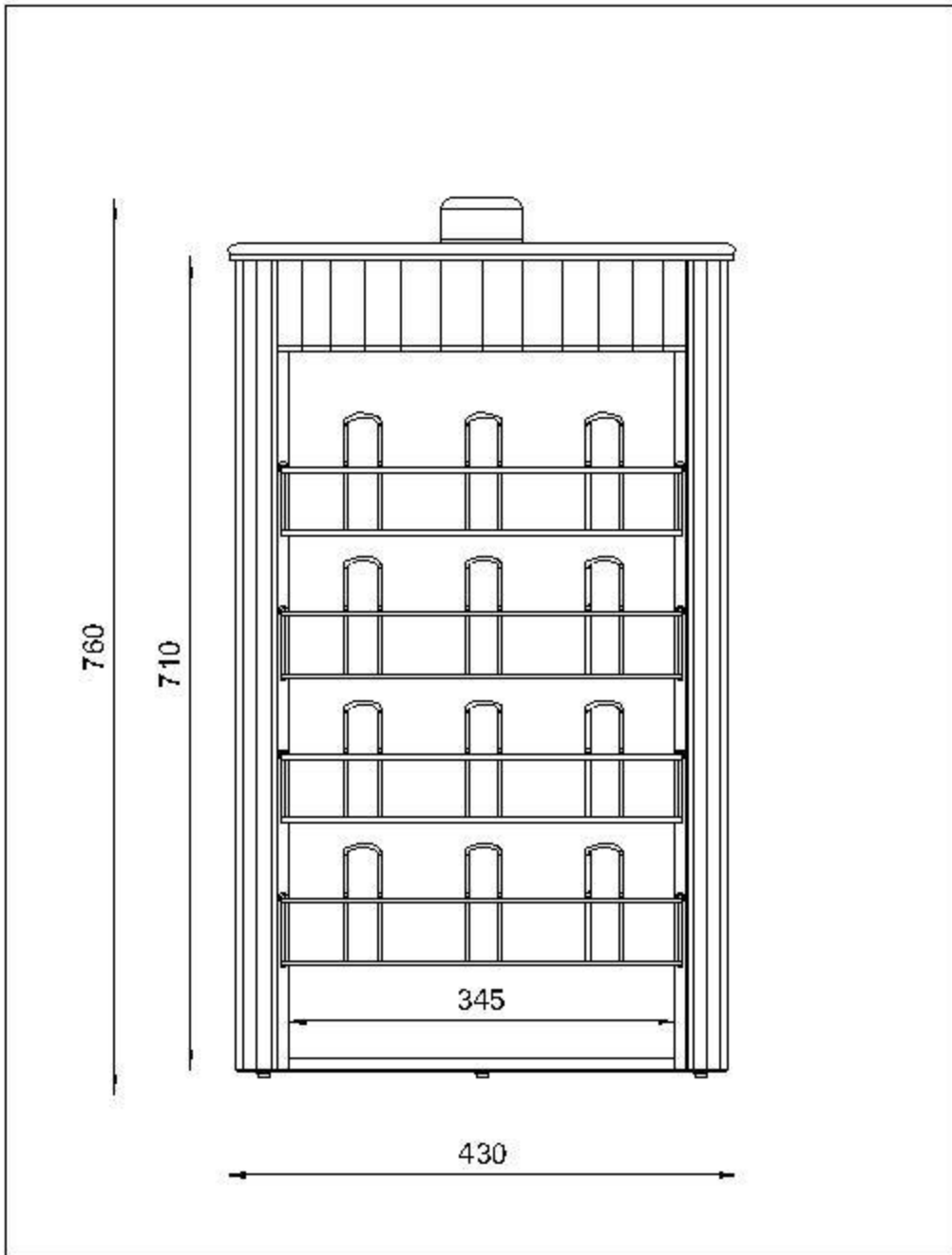


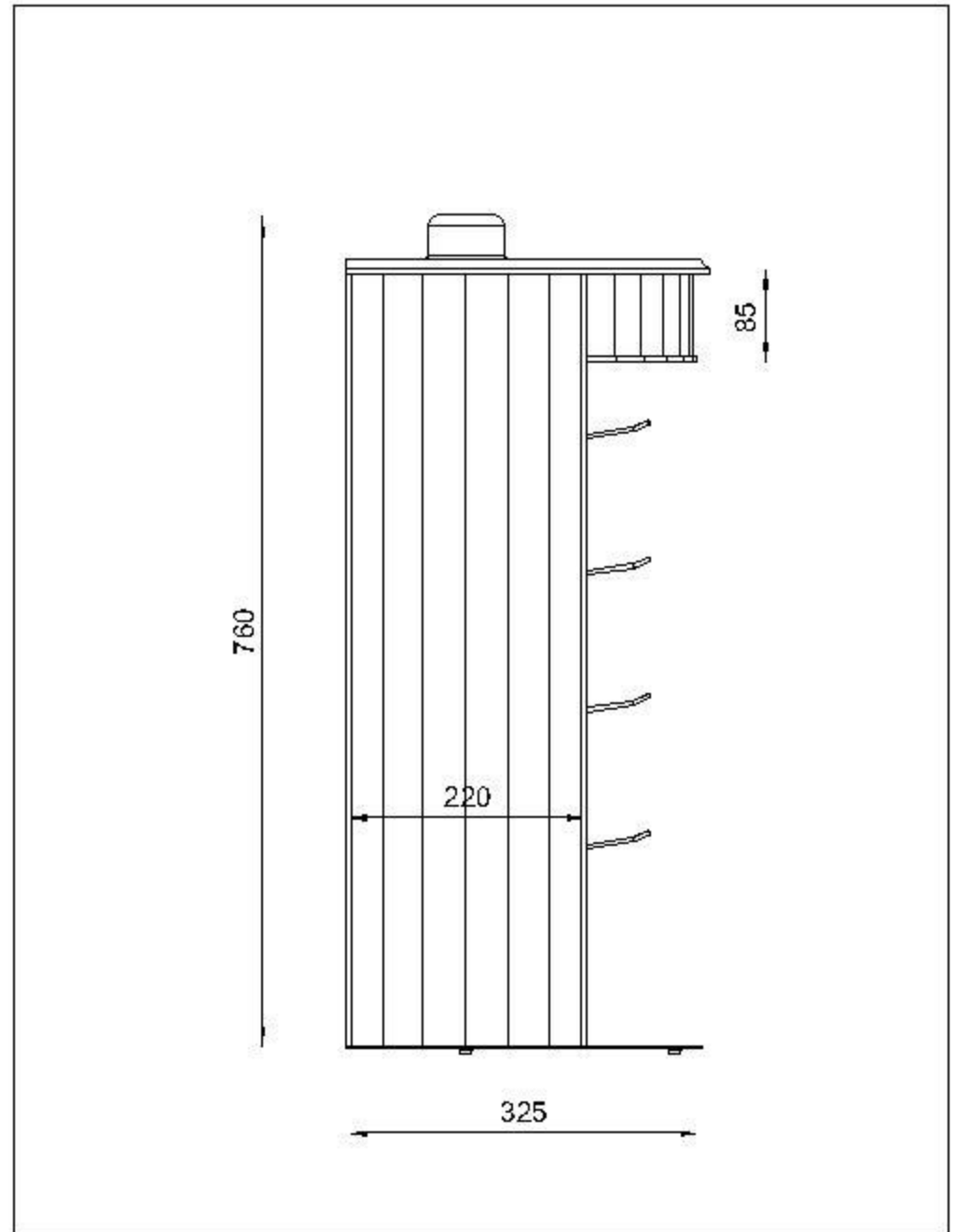
ISOMETRIC DRAWING



ASSEMBLY DRAWING



FRONT VIEW



SIDE VIEW