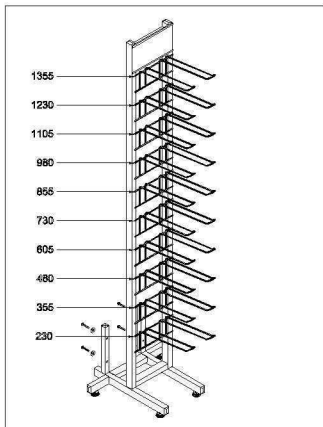
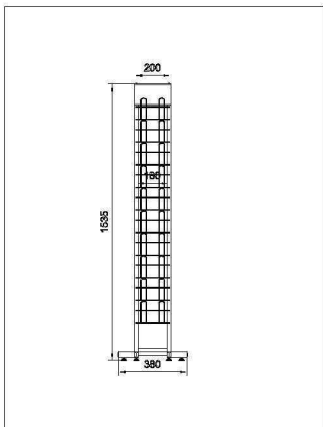


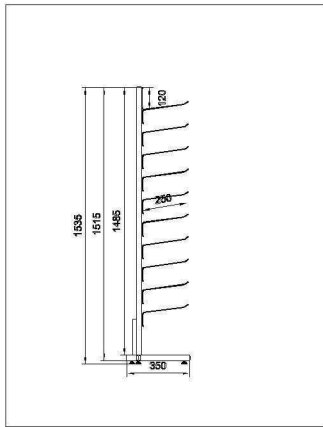
ISOMETRIC DRAWING



ISOMETRIC DRAWING



FRONT VIEW



SIDE VIEW